

# ARF2010 Evaluation Board

Evaluation Board for ARF2010 Wideband RF Transceiver IC



## Product Description

The ARF2010 Evaluation Board is a hardware platform designed to enable convenient evaluation of the ARF2010 RF transceiver integrated circuit. Aviacomm offers multiple configurations of EVB that are optimized for testing various frequency bands. Users may order a predefined option EVB or a customized EVB based on application requirements.

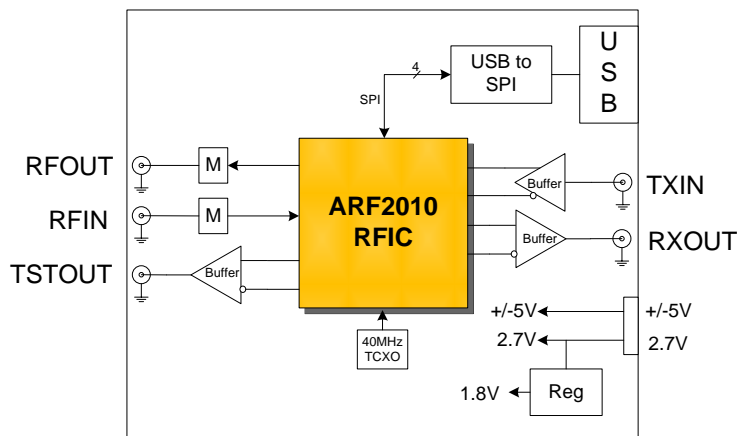
The hardware supports evaluation of the most important performance parameters, for example: P1dB, IIP3, Gain, EVM, Spectral Mask, and other common RFIC tests.

The GUI software provided with the Evaluation Board kit includes predefined profiles for typical transceiver operating modes. For reference during evaluation, log files which record time-stamped register read and write settings are automatically stored.

The Evaluation Board is provided as a kit that includes:

1. One ARF2010 Evaluation Board
2. A performance report on the EVB that is delivered
3. A configuration GUI program for Windows PC running XP or Windows 7
4. A users guide that includes configuration, calibration, and test instructions

## ARF2010 Evaluation Board



## Features

- Supports testing from 50MHz to 2.8GHz
- Convenient interfaces to lab test equipment
- GUI program with predefined profiles
- Log file storage for debugging
- Displays all internal register settings
- Power control and Calibration control menus
- USB 2.0 interface

# ARF2010 Evaluation Board

Evaluation Board for ARF2010 Wideband RF Transceiver IC

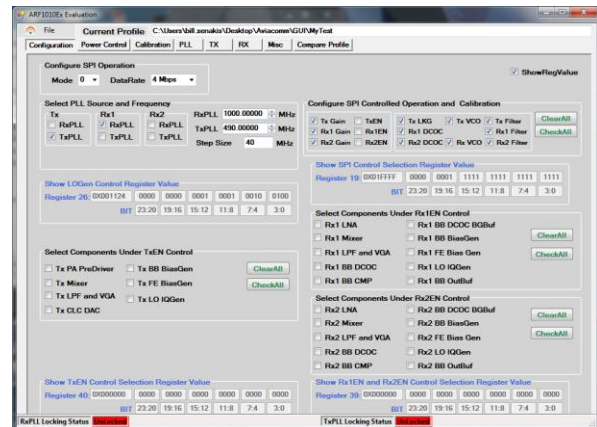
## ARF2010 Evaluation Board GUI

ARFGUIPB.exe is a Windows-based application developed by Aviacomm for controlling and evaluating the functions and performance of the ARF2010 wideband transceiver IC.



## Command Menus

- Configuration
- Power control
- Calibration
- Phase Lock Loop (PLL)
- Transmit (TX)
- Receive (RX)
- Miscellaneous
- Compare Profile



## Ordering Information

ARF2010 EVB Opt "n" customer request

Opt "n"	Category	RX1 (MHz)		RX2 (MHz)		TX (MHz)			
		Start	Stop	Start	Stop	Start	Center	Stop	
A	1.8 GHz	700	2,500	700	2,500	1660	1824	1950	
B	2.0 GHz	700	2,500	700	2,500	1775	2000	2140	
C	TV White Space	50	1,000	50	1,000	450	700	950	
D	Custom	per customer request							

Available now. Please contact [sales@aviacomm.com](mailto:sales@aviacomm.com)

Aviacomm  
 1196 Borregas Ave Suite 102  
 Sunnyvale, CA 94089  
[www.aviacomm.com](http://www.aviacomm.com)